

NEW! | CINEMA SERIES

Punch Variable Cinema

The Punch Variable Cinema has an adjustable color temperature range of 2,800°K to 6,000°K, develops an output of 3,532 fc @ 10 feet and is now coupled with high CRI (92+) performance in the Punch Variable Cinema. Like the standard Punch Variable, the Punch Variable Cinema draws only 4.78 amps of power at full output. Like all AAdynTech fixtures, the Variable generates no heat or harmful UV or IR emissions, is self-contained with an auto-ranging universal power supply requiring no ballast, head cables or lamps, and instant ON ensures no warm-up wait time on set.

When any of our lenses are used, optical efficiency provides a single light source eliminating multiple shadows. The Punch Variable Cinema comes equipped with four quick change lenses to vary the beam angle for spot, medium or flood while maintaining a flat, even field of light. There are several control possibilities with the Variable Cinema; built in User Interface Module (UIM) with Kelvin temperature display, DMX with DMX loopthru, or via the optional corded UIM Controller with Kelvin temperature display. A heavy-duty yoke is provided. When your production requires precise color temperature control and powerful, reliable even lighting; the Punch Variable Cinema by AAdynTech has no peer.



THE PUNCH SERIES IS AVAILABLE IN DAYLIGHT. SPECIAL ORDER MODELS INCLUDE: BULLET & MEGA BULLET HIGH SPEED VERSIONS.

©2023 Sturdy Corporation. All rights reserved. As technical advancements continue, all specifications are subject to change without notice.

92+
CRI



FEATURES AT A GLANCE:

- 92+ CRI across entire brightness and color temperature range
- 3,532 foot candle output @ 10 feet
- Draws only 4.8 amps at full output
- Auto range voltage - 100/277 VAC - 50/60Hz
- Up to 90% energy savings
- Same size and uses the same accessories as Punch Variable
- Precise brightness control w/ variable dimming curve
- Single light source eliminates multiple shadows
- Flicker-free up to 12,000 fps
- No heat generation - operates cool to the touch
- Douse button (momentary o")
- Included 5°, 15°, 30°, 55° lenses to vary beam angle
- No head cables, ballast or spare lamps
- Built-in digital User Interface Module (UIM) control
- Recalibration countdown hour 'smart' meter
- Full DMX control w/ DMX loop-thru
- 5-pin XLR DMX In/Out & PowerCon AC Cable
- Programmable multiple lightning and strobe effects
- Multiple user memory storage with recall
- 2 year warranty on fixture
- Operating temperature at -20c to +50c
- Certified UL, ETL, CSA, CE & RoHS compliant
- Wireless Capable DMX/RDM control

Punch Variable Cinema

NO DIFFUSER	@10 FEET	@15 FEET	@20 FEET
Lux	38,017	17,108	9,540
Foot Candles	3,532	1,590	888
5° DIFFUSER	@10 FEET	@15 FEET	@20 FEET
Lux	31,281	13,776	7,919
Foot Candles	2,906	1,280	736
15° DIFFUSER	@10 FEET	@15 FEET	@20 FEET
Lux	23,793	10,815	6,004
Foot Candles	2,210	1,005	558
30° DIFFUSER	@10 FEET	@15 FEET	@20 FEET
Lux	13,278	6,704	3,442
Foot Candles	1,234	564	320
55° DIFFUSER	@10 FEET	@15 FEET	@20 FEET
Lux	5,275	2,512	1,450
Foot Candles	490	233	135

DIFFUSER	BEAM ANGLE	FIELD ANGLE
0°	13.3°	18.9°
5°	16.2°	26.3°
15°	18.3°	33.4°
30°	28.1°	50.1°
55°	45.3°	76.7°

At 90° angle to incident surface

SPECIFICATIONS

Control	UIM, Wired & Wireless Capable DMX/RDM
Source	LED, 2,800K to 6,000K, 92+ CRI
Cooling	Passive/Active
Mounting	Junior Pin/28mm Spigot
Certifications	ETL, UL, CSA, CE and RoHS Compliant

DIMENSIONS

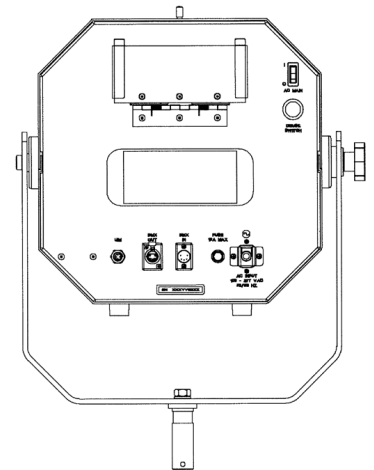
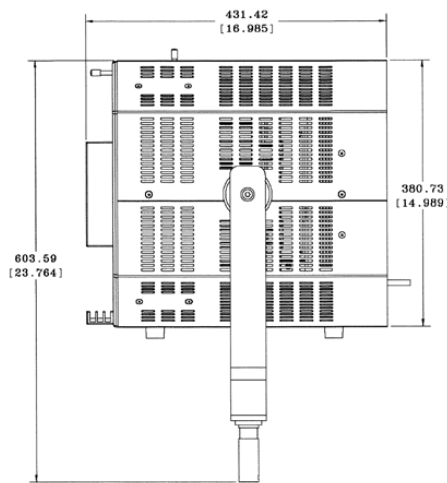
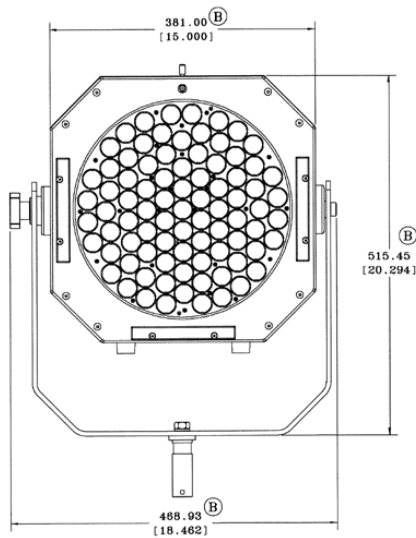
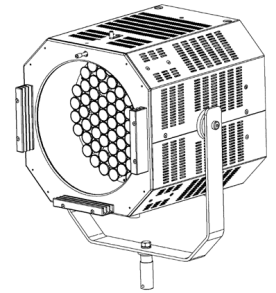
Length	431.4 mm	17.0 in
Width	468.9 mm	18.5 in
Height	515.5 mm	20.3 in
Weight	22 kg	48.4 lbs

POWER

Input Voltage	100-277 Vac
Input Freq	50/60 Hz
Input Current	4.87 Amp @ 120V 584.4 W @ full
Connection	PowerCon Twist Lock connector

HIGHLIGHTS

- RoHS Compliant
- Up to 3,532 foot candles @ 10 feet
- Variable color temperature at 2,800K to 6,000K
- Dimmable with no color shift
- Draws 4.8 amps at max output



©2023 Sturdy Corporation. All rights reserved. As technical advancements continue, all specifications are subject to change without notice.